

Iside 1.0 - Fixed Height

The maximum of technology at the service of functionality

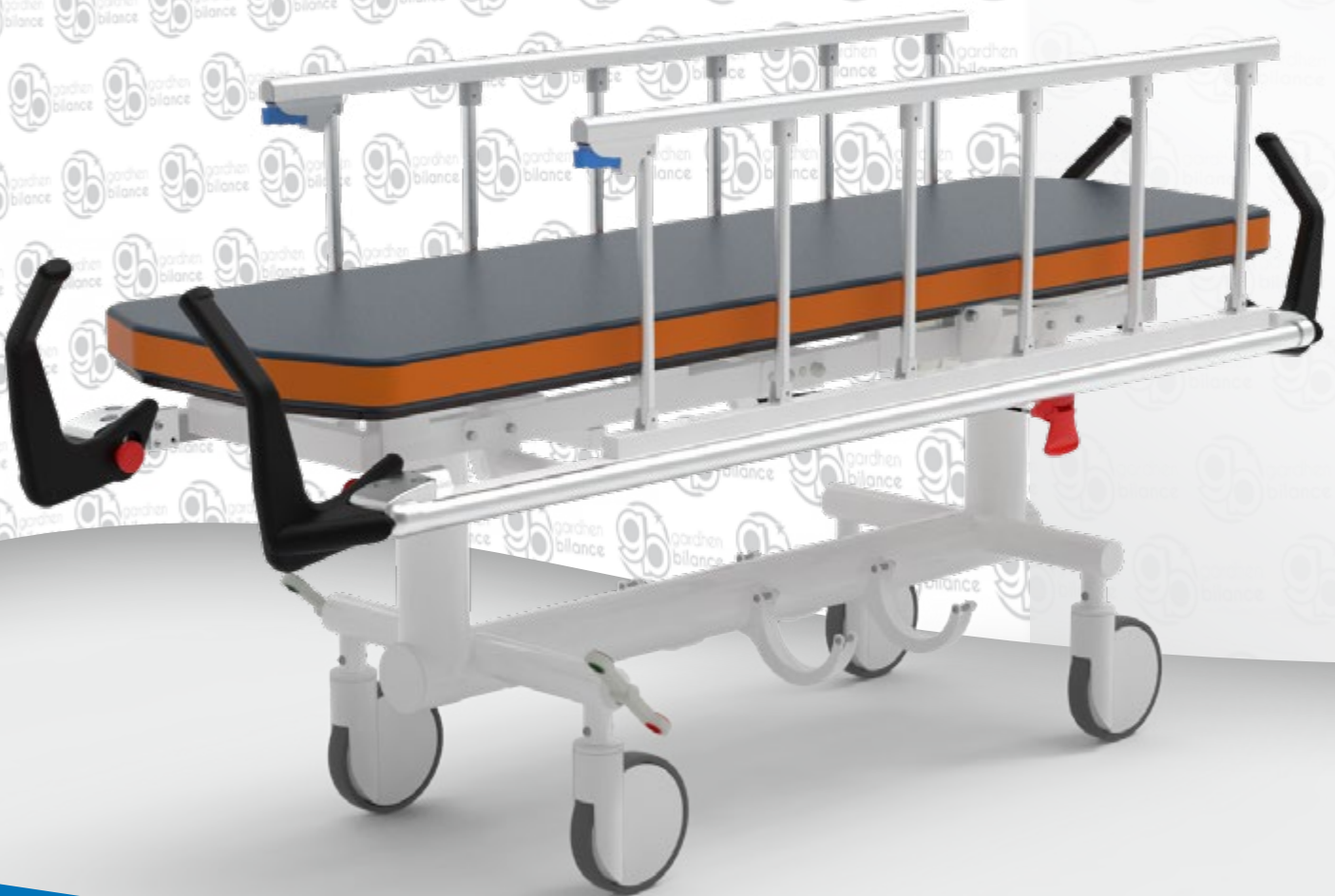


STRETCHER

Frequent usage

Patient's transport

Emergency





REINFORCED BACKREST WITH HIGH ADJUSTABLE CAPACITY

Benefits

- Patient surface height (customizable upon request).
- Patient surface dimension (customizable upon request).
- Low voltage power supply by batteries without autonomy limits.
- Anti-tilt and non deformable frame.
- Centralized braking system, useful to ensure further stability to the device.
- Adjustable backrest 0-70° with gas actuator.
- High maneuverability to facilitate transport operations as much as possible.
- High stability.
- No obstacles between the upper part and the base.
- Patient surface in HPL. No sharp edges, easy to clean.
- Foldable side rails.
- Lateral bumpers.
- Ergonomic and foldable handles located on both ends.
- It simplifies the activities of the medical staff especially in a highly demanding environment.
- Available in standard version max load 200 kg or in bariatric version max load 300 kg.

Standard features

- Frame coated in thermosetting and antibacterial powders.
- 2 sections patient surface.
- Foldable side rails couple - Equipment code ACB3.
- Adjustable backrest with gas actuator. Available on request also electric (see compatible accessories).
- Nr. 4 antistatic stainless swivable wheels Ø 200 mm - Equipment code ACB14 - with simultaneous brake activated through bilateral pedal and directional system - Equipment code AC7L2G.
- Lateral bumper bars.
- High density expanded foam mattress.
- Removable mattress height 80 mm (available 100 mm height upon request).
- Upholstery: with anti-bacterial properties, flame retardant class 1M, antimicrobial, ecologic, latex free, phthalate free. Resistant to: alcohol, sodium hypochlorite max 5%, a wide range of common used detergent, liquid and other biological fluids. - Equipment code AC87/1.
- Oxygen tank holder - Equipment code ACB10.
- No. 4 inserts for IV pole.
- No. 4 tiltable handle.



Would you like to customize upholstery or frame?

Scan or click the QR code and discover how to customize the device consulting our colour chart.



Movements



Recommended accessories



AC107



Motorized backrest.

ACB129



Fifth swivable auto-levelling wheel.

AC139/1



Pedal controls for the adjustment of the backrest, the pedal control can be located on the floor and can be moved or positioned according to user's needs.

AC140



Drawer for towels and clothes.

AC141/1



Pedal controls fitted on the frame for the adjustment of the height.

ACB5/1

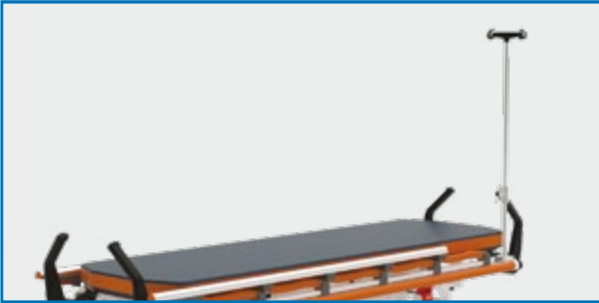


100 mm mattress.

Recommended accessories

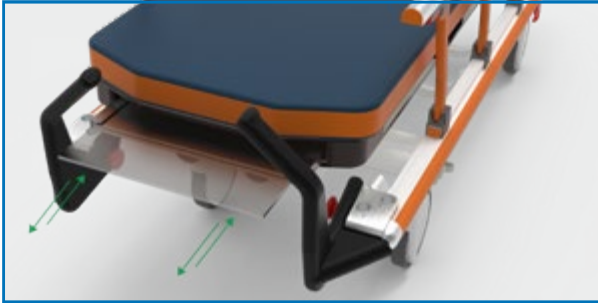


ACB11



IV pole.

ACB15



Fully radiolucent top with front-rear insertion and longitudinal sliding of the plate.

ACB126



Monitor table.

ACB142



Patient strap set to immobilize the patient.

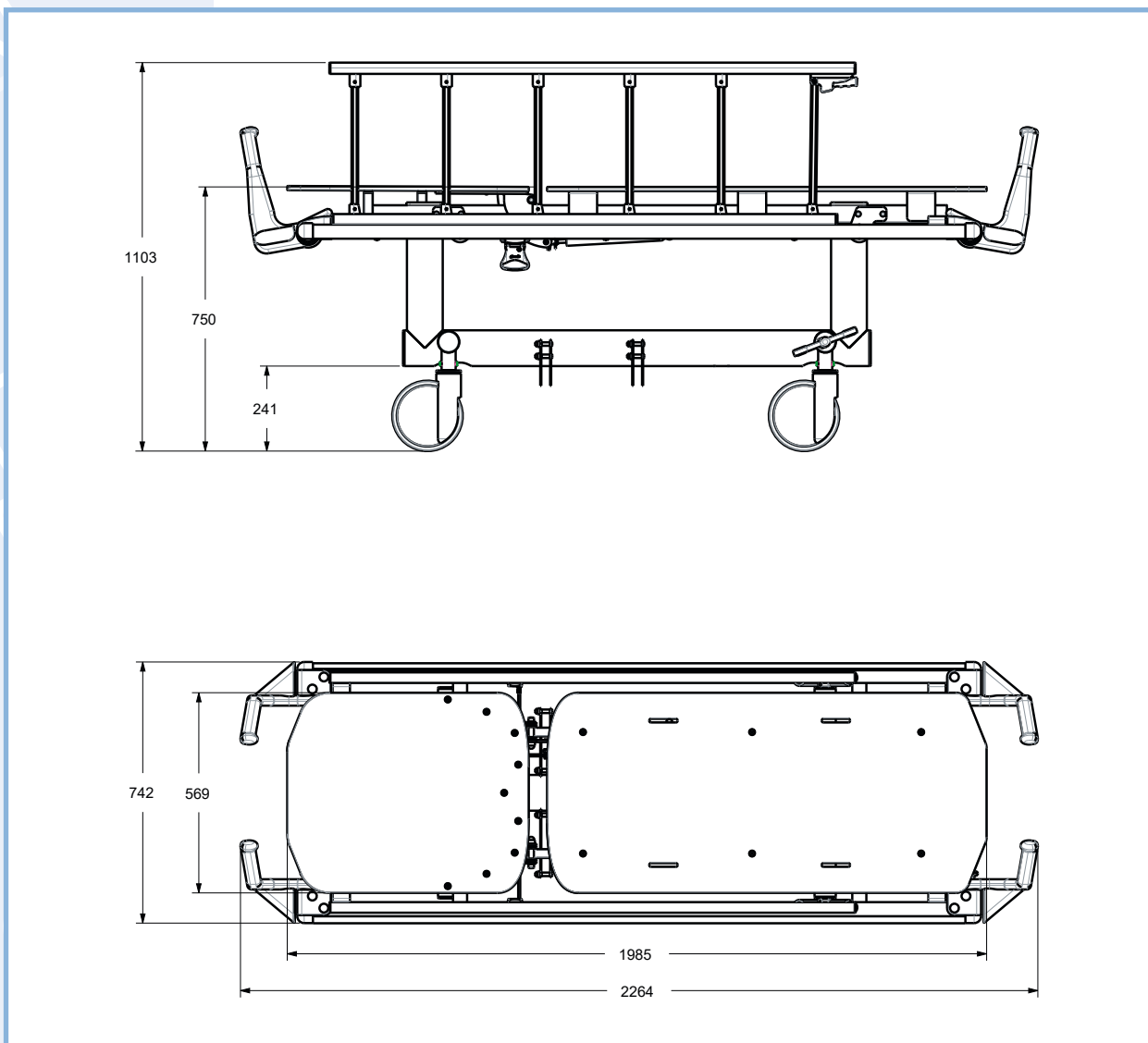
AC17P/A



Batteries with charger included.



Dimensions



Technical sheet



GMDN Code	V9099
ID Code	GB0346.SP Painted steel GB0346.SP/300 Painted steel
Intended use	Stretcher for patients transport
Manufacturer	GARDHEN BILANCE SRL
Overall weight	140 kg
Wheels	No. 4 wheels Ø 200 mm with directional braking system
Max load	Standard 200 kg / Bariatric 300 kg
Safety working load	Standard 235 kg / Bariatric 335 kg

For certifications please refer to "Certifications and Quality system" section

Pictures contained in this brochure is for illustrative purpose only. The manufacturer reserves the right to modify the projects without notice. For accessories identification please refer to the accessory catalogue or commercial offer. When data are different please refer to commercial offer.

Dep. EN_151 rev. 18/05/2022

