

Physio G

Gynecological/urological examination table



COUCHES

Frequent use

Gynecology
Urology
Outpatient clinic
Diagnostic Ultrasound
Endoscopic Examinations
Emergency Room



VERSATILE



SAFE

professional support for specialist visits

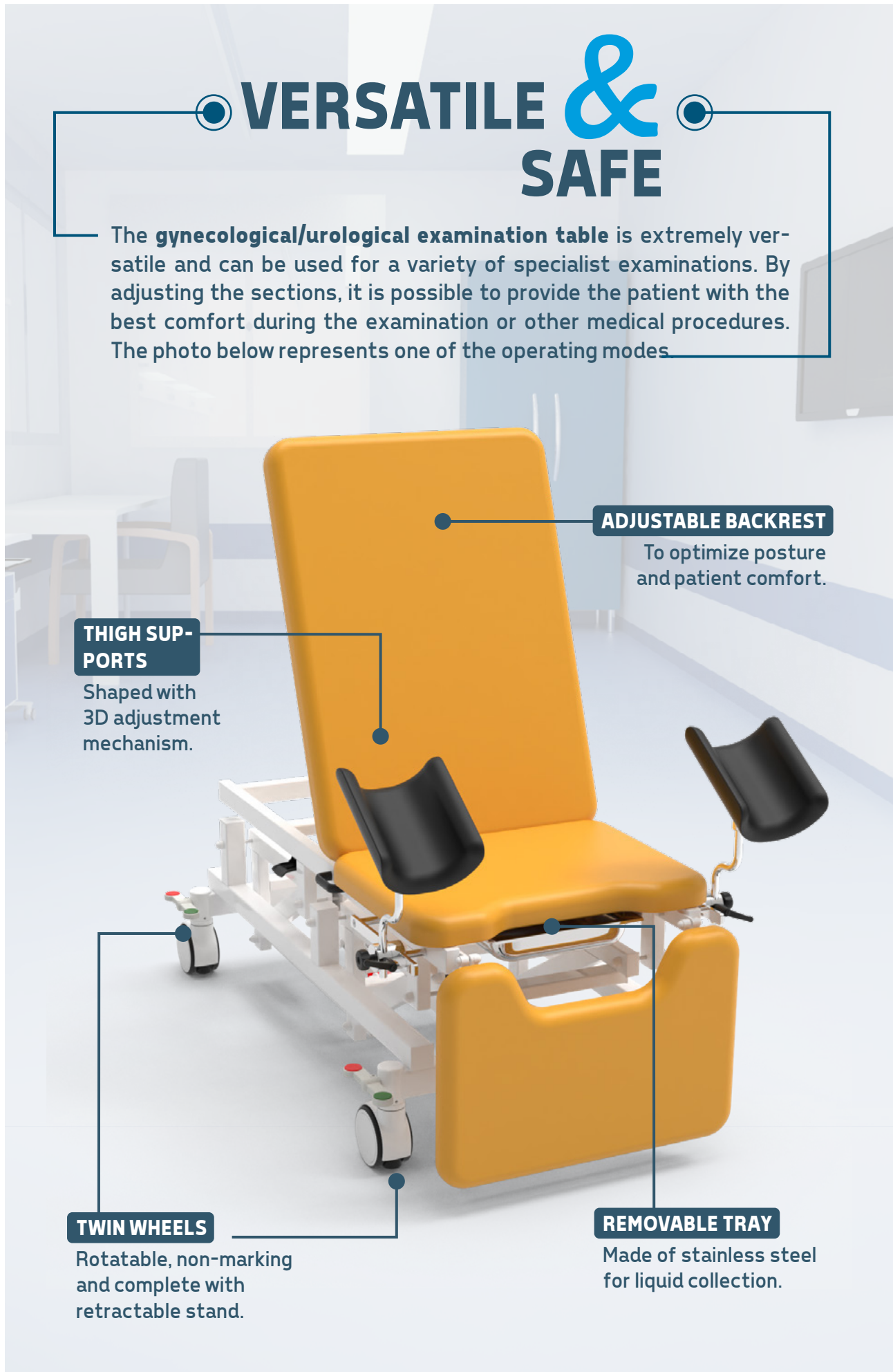


www.gardhenbilance.it



VERSATILE & SAFE

The **gynecological/urological examination table** is extremely versatile and can be used for a variety of specialist examinations. By adjusting the sections, it is possible to provide the patient with the best comfort during the examination or other medical procedures. The photo below represents one of the operating modes.



ADJUSTABLE BACKREST

To optimize posture and patient comfort.

THIGH SUPPORTS

Shaped with 3D adjustment mechanism.

TWIN WHEELS

Rotatable, non-marking and complete with retractable stand.

REMOVABLE TRAY

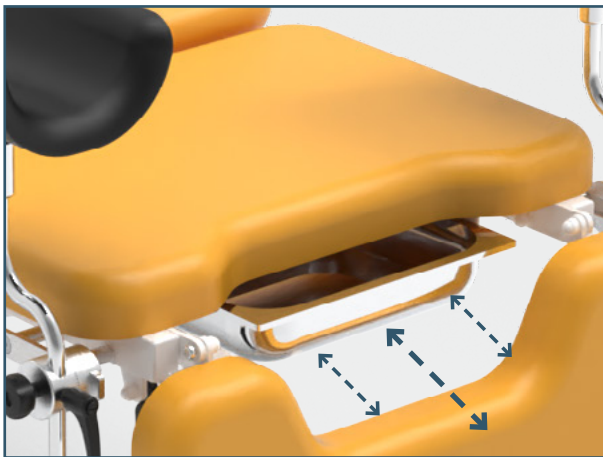
Made of stainless steel for liquid collection.





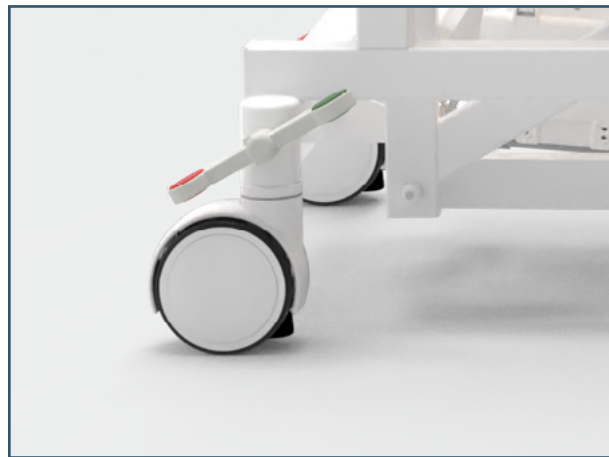
Standard equipment

- Gynecological/urological examination table with electric variable height.
- Reinforced frame made of steel painted with thermosetting epoxy powder enriched with antibacterial. You can customize the color of the frame upon request.
- Top divided into 3 sections and 2 joints. Leg section with gas spring adjustment. Leg section foldable even with patient laying on the bed.
- Adjustable back section with gas spring, movement manually operated with the help of lever located on both sides, so as to have the most useful position for therapy.
- Variable height motorized by low-voltage electric actuators.
- Twin 125 mm diameter wheels, swivel, non-marking and complete with retractable stand operated by foot pedal mechanism.
- Laying surface padding (6 cm in height) made of different polyurethane layers density with a honeycomb structure. Such padding construction ensures high breathability and proper distribution of the patient's weight along the entire lying surface.
- Upholstery made of class 11M leatherette, which can be sanitized with commonly used detergents and medical-surgical aids. The bielastic material has properties: antibacterial, antifungal and stain-resistant. You can customize the color of the upholstery upon request.
- Stirrups with 3D adjustment mechanism: ergonomic, soft and comfortable for effective lower limb support.
- Tray made of removable stainless steel integrated into the structure for collecting liquids.
- 2-button push-button panel for height adjustment.



REMOVABLE TRAY

The medical device **is equipped with a special drip tray made of stainless steel**, which is removable for easy cleaning. The tray can be easily removed from the couch for cleaning and sanitizing, ensuring that the couch is always properly sanitized.



TWIN WHEELS

The medical device is equipped with **twin 125 mm diameter, swivel, non-marking castors and complete with a retractable stand** that can be operated by means of a foot pedal mechanism..



Movements



BACKREST ADJUSTMENT



VARIABLE HEIGHT ADJUSTMENT



COLLAPSIBLE LEG SECTION



Do you want to implement the device?

Frame the QR code and discover all available accessories by browsing the catalog.



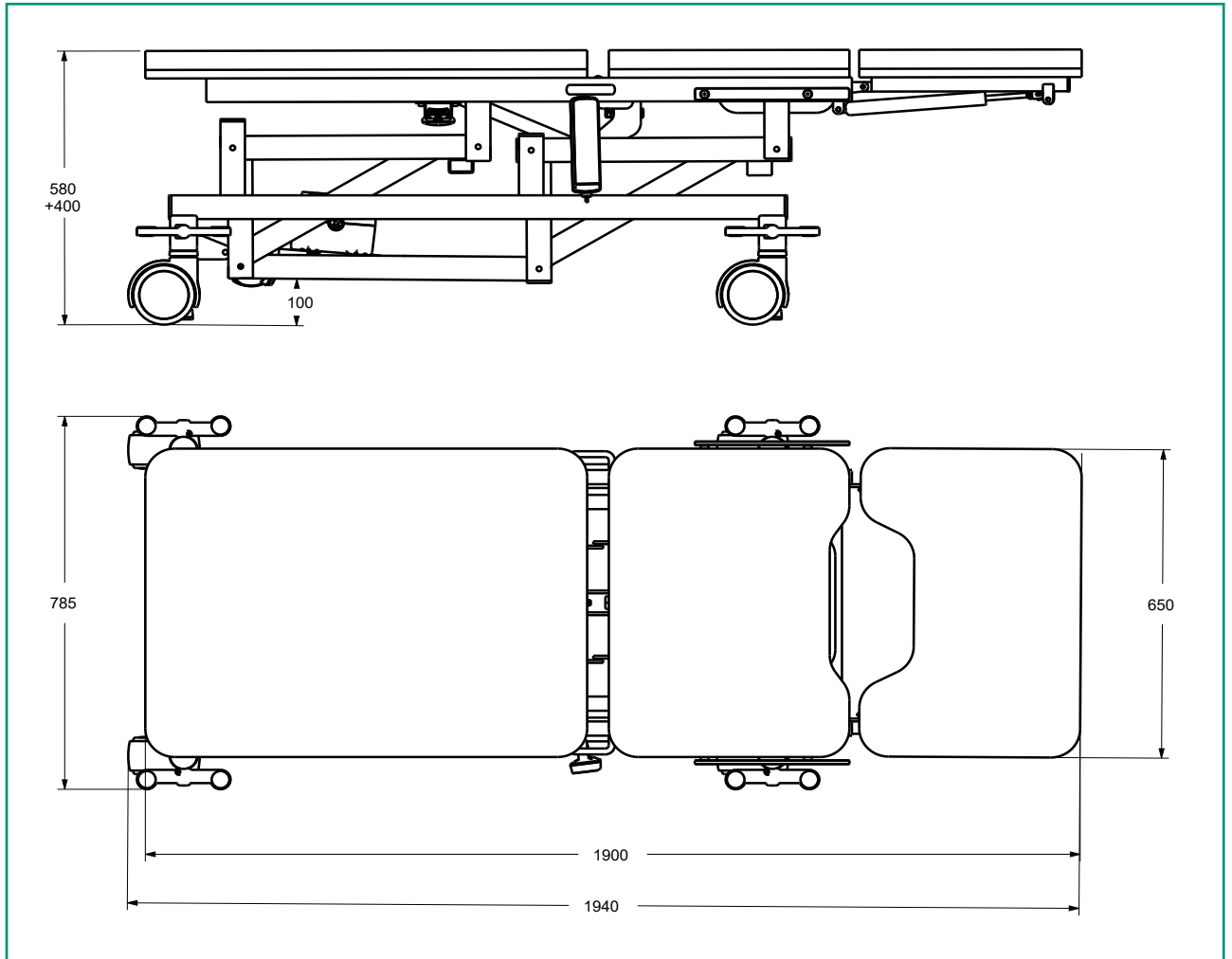
Do you want to change the color of the upholstery or frame?

Frame or click the QR code and find out how to personalize the device by consulting our color chart.





Dimensions



Data sheet

CND/EMDN	V080603
GMDN	34134
Basic UDI-DI	805771740LVISKK
No. progressive/R	2489196/R
Product Code	GB0410.SP
Intended Use	Examination couch
Manufacturer	GARDHEN BILANCE SRL
Total weight	70 kg
Type of control	Push button panel
Ruote	No. 4 stainless wheels twin swivels Ø 125 mm
Power supply	Multi-voltage 100-240 Vac 50/60 Hz
Power supply with batteries	24v - 4.5A
Electric motors	Low voltage (24 V)
Max absorption	4A
Insulation	IP44
Maximum Scope	180 kg
Safe Workload	215 kg

Main cord



Type F
Schuko



Type L
16A



Type I
Australia



Type B
Canada
and USA



Type G
UK plug

Gardhen Bilance S.r.l.

Via G. Luraghi c/o Consorzio Il Sole - lot S - 80038 Pomigliano d'Arco (NA) - Italy

Tel. +39.081.8692160 pbx - Fax +39.081.8692460

E-mail: info@gardhenbilance.it - PEC: gardhenbilance@pec.it

Visit our website www.gardhenbilance.it / Follow us on     

Images reproduced in this sheet are for reference only and dimensional values are nominal. It is the manufacturer's right to make changes to the designs without prior notice. Refer to the accessories catalog and/or commercial proposals for the identification of standard equipment and the selection of any additional components. In case of discrepant data, the contents of the commercial proposals shall prevail. In the event that no preferences are expressed regarding the colors of the devices ordered, the same, will be made with the colors shown in the data sheet/brochure.

Dep. EN 361 rev 16/09/2024