

# Alex Hospital

Hospital bed



ALL CLINICAL AREAS

Frequent usage

All clinical areas  
Intensive care unit



SEMI SIDE RAILS  
CONFIGURATION

italian

**DESIGN &  
TECHNOLOGY**

in the world



[www.gardenbalance.it](http://www.gardenbalance.it)



Standard features

**RAILS**

of different types available for the containment of the patient.

**LYING SURFACE**

4 sections triple joint with thermoformed covers made of ABS.

**BRAKING SYSTEM**

Centralized with directional system activated by bilateral lever.

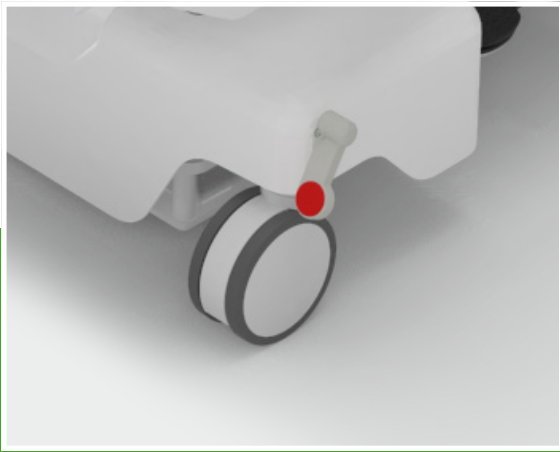
**WHEELS**

150 mm diameter, optimal for transport with patient on board. Directional system facilitates maneuverability.

**HEAD AND FOOT PANELS**

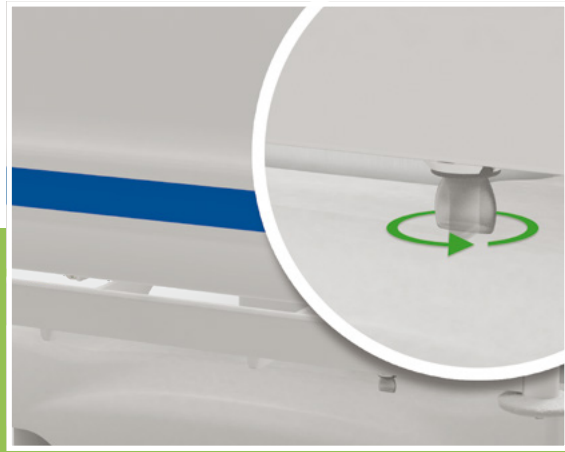
of different types and customizable upon request, equipped with anti-unthreading safety lock.





### Braking system

Centralized directional braking system. Operation is via bilateral anteroposterior pedals. Equipment code AC7L2/G



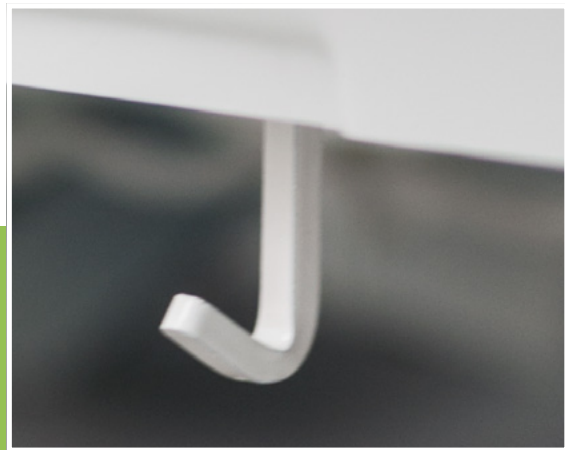
### Safety mechanism

Headboard and footboard shoulders immediately removable by special mechanism, light and sturdy at the same time.



### Quick backrest release

To facilitate the CPR maneuver in case of emergency. Equipment code AC8L



### Pair of bilateral bag hooks

Equipment code AC3L

### Want to change the color of the frame?

Frame or click the QR code and find out how to customize the device by consulting our color cards\*.

\*If no preference is expressed, the device will be supplied with the available color.

Frame





## Control Panel

The device is equipped with a push-button panel for handling movements. The push-button panel is connected to the device by means of 3.5 m extendable spiral wire, and is intuitive and practical to use since it is equipped with embossed screen-printed pictograms that identify each movement that can be activated.



## MOVEMENTS AND FUNCTIONS

### Sections movements:

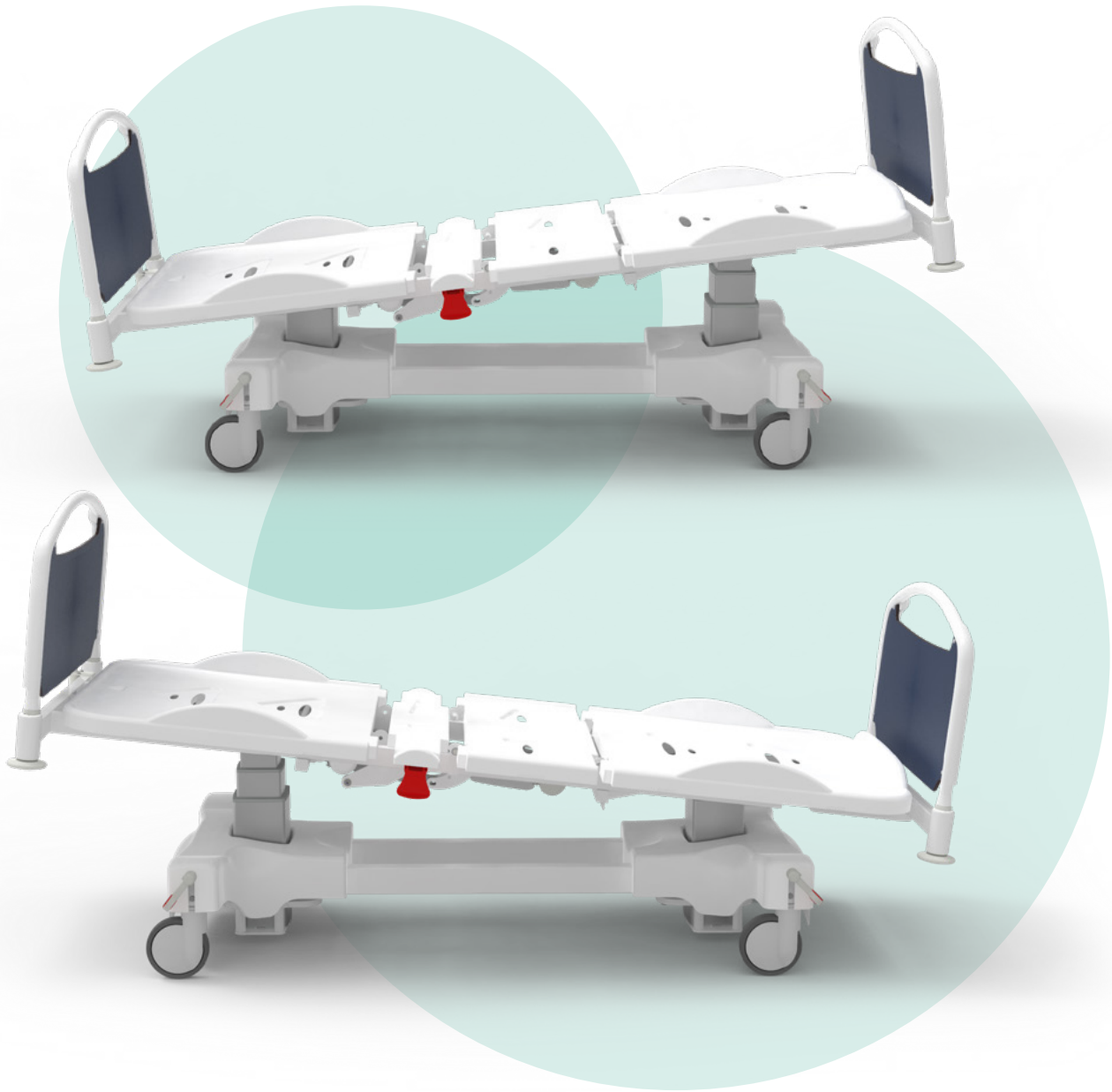
- Back Section
- Femoral Section
- Simultaneous Back/Femoral Sections
- Variable Height
- Trendelenburg and reverse
- Trendelenburg



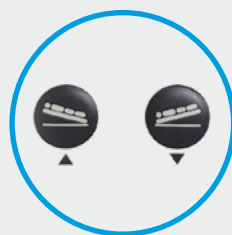


## Movements

### Trendelenburg and Reverse Trendelenburg



The Trendelenburg and reverse Trendelenburg position can be obtained by:



Handset





## Movements

### Variable Height

The bed is adjustable in height by means of motorized telescopic columns with a rectangular cross-section that allow the height of the top to be adjusted by up to + 400 mm excursion.



The adjustable height can be obtained by:



Handset



## Movements

### Seat/Cardiology Armchair

The bed assumes the position of "Cardiology Seat/Cardiac Armchair" by performing automatic rototranslation of the back section - Equipment code AC62.



**The Seated/Cardiac chair position can be obtained by:**

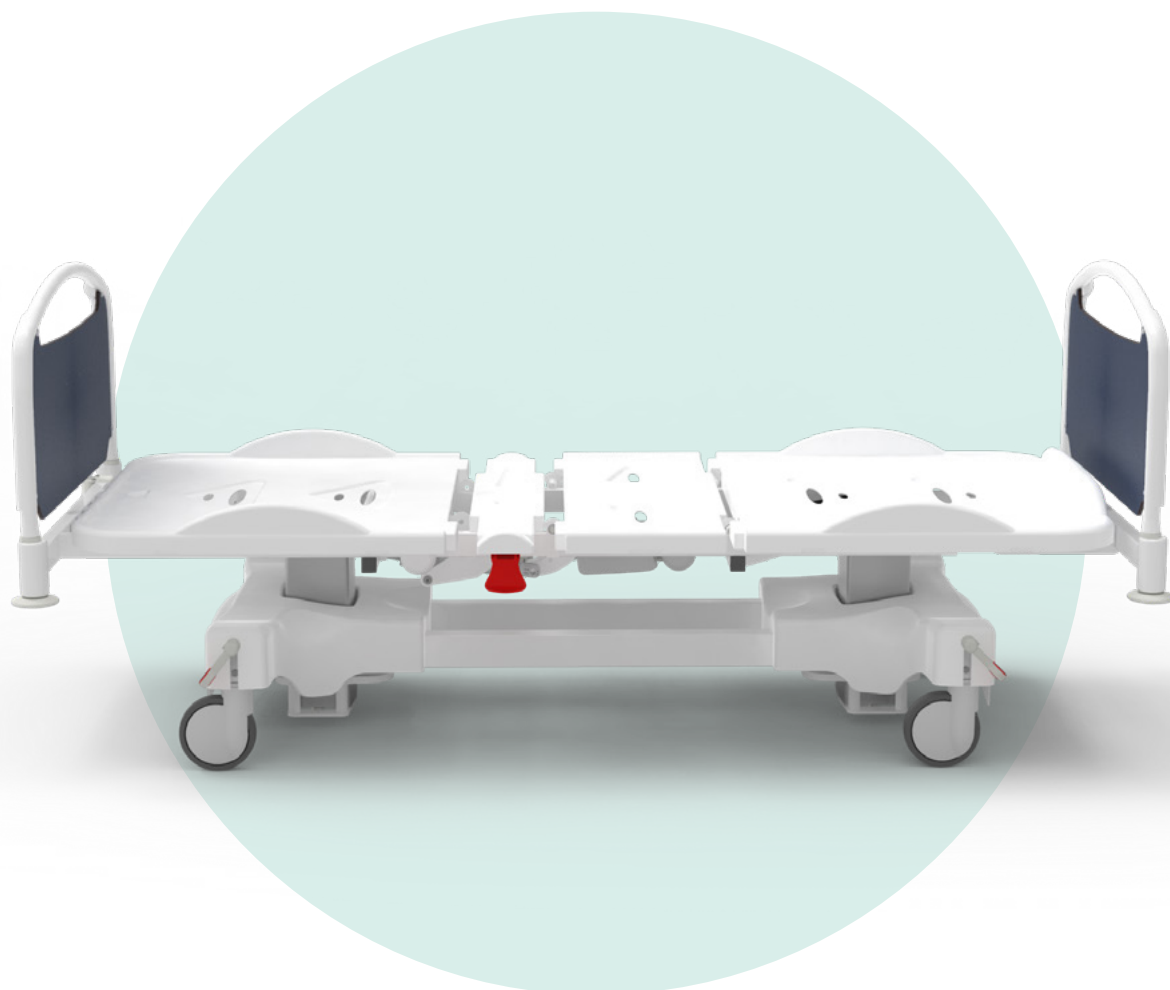




## Movements

### CPR position

The bed assumes the CPR position such a position can be obtained either manually by means of the appropriate bilateral levers - Equipment code AC8L. This function is immediately accessible by the caregiver in order to obtain the emergency position and initiate CPR activities.



**The CPR position can be obtained through:**



**Bilateral lever**  
(manual activation)







## Configurations

The bed can be configured with the following combinations of **shoulders and sides**:

**With panels AC65 and side rails AC21/1**



**With panels AC65/2 and side rails AC21/1**



**With panels AC65/3 and side rails AC71**



**With panels AC65 and side rails AC20**



**With panels AC65/2 and side rails AC20**

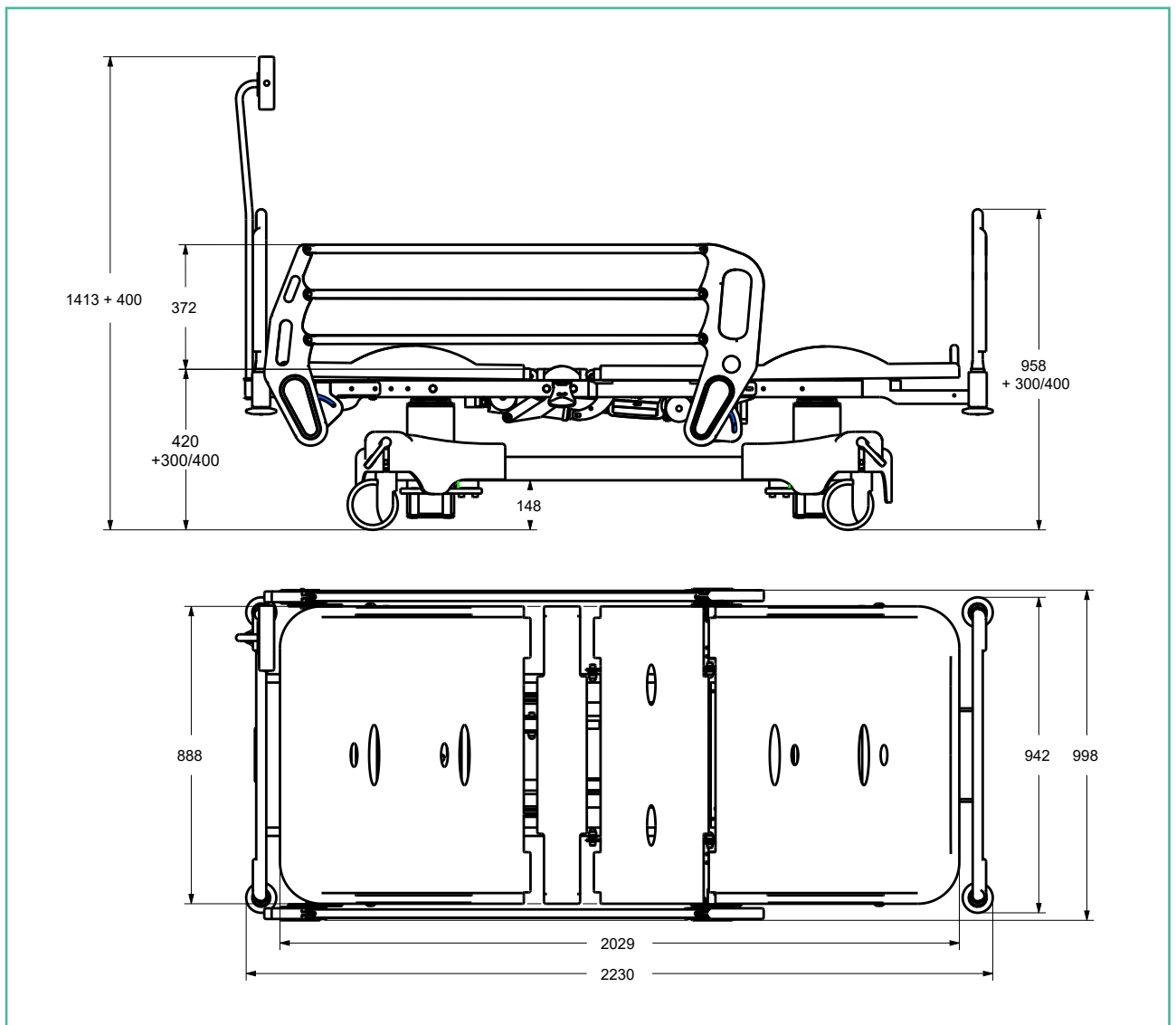


**With panels AC65/3 and side rails AC20**





# With panels AC65 and side rails AC21/1



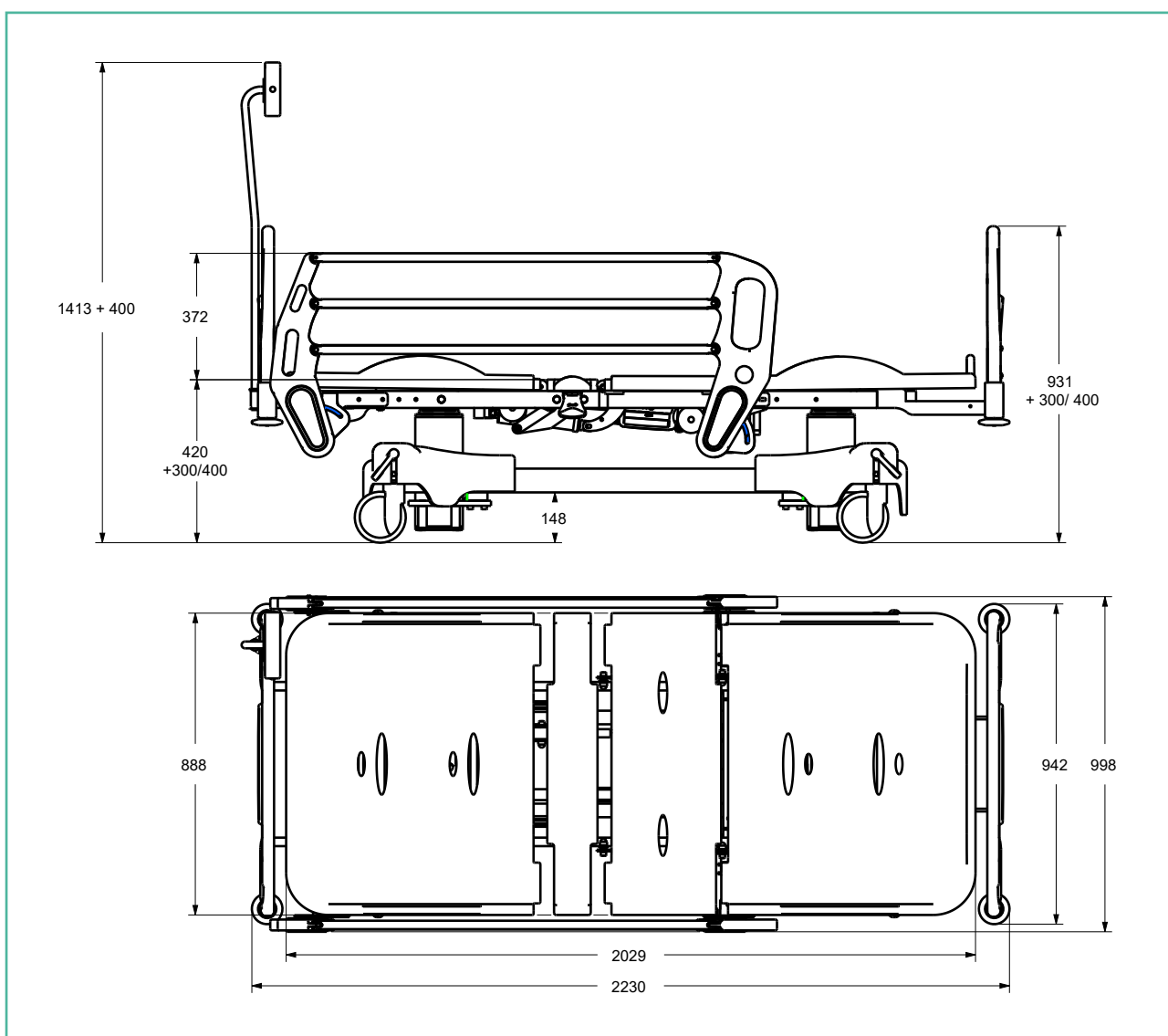


## Standard features

- Lying surface with a height of 420 mm, divided into 4 sections with triple articulation and removable and easily sanitized ABS thermoforms.
- Motorized back section.
- Motorized femoral section.
- Leg section servo-assisted by gas springs synchronous to the movement of the femoral section.
- Variable height via motorized columns.
- Motorized Trendelenburg and reverse Trendelenburg via rectangular-section telescopic columns.
- Synchronous backrest translation of 11 cm to limit abdominal compression.
- Cardiology position - Equipment code AC62.
- Quick release of the backrest to facilitate the CPR maneuver - Equipment code AC8L.
- Low-voltage electric motors of the anti-crushing type with spline system.
- Thermosetting epoxy powder coating.
- Equipotential node.
- HPL panels - Equipment code AC65.
- Provision for pair of side rails with compass - Equipment code AC21/S.
- **Integrated side rails useful for total containment of the patient with vertical descent and lowering movement to the bed platform - Equipment code AC21/I.**
- 4 Perimeter bumpers.
- Non-marking swivel casters with 150 mm diameter.
- Pair of bilateral bag holder hooks - Equipment code AC3L.
- Centralized directional braking system. Operated by bilateral anteroposterior pedals - Equipment code AC7L2/G.
- Emergency battery - Equipment code AC17L.
- Cable reel - Equipment code AC50L.
- Push-button panel 10 keys, movements are controlled by perimeter push-button panel equipped with 3.5 m spiral cable. The hand control is easy to use as it is made with large raised pictograms and is also suitable for visually impaired patients. IP66 insulation.
- For patient safety, the hand control is equipped with a key for control inhibition - Equipment code AC34L.



# With panels AC65/2 and side rails AC21/1



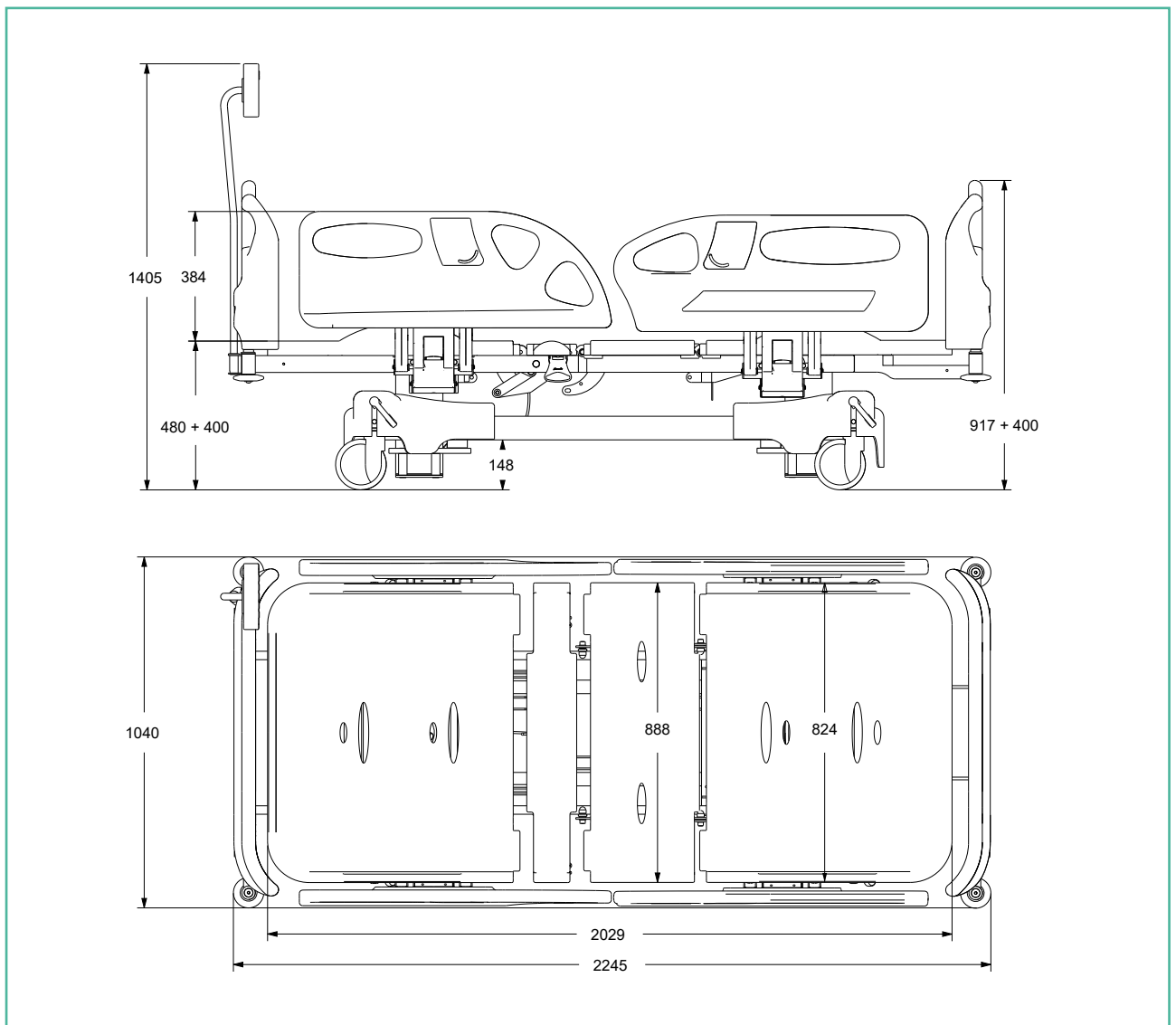


## Standard features

- Lying surface with a height of 420 mm, divided into 4 sections with triple articulation and removable and easily sanitized ABS thermoforms.
- Motorized back section.
- Motorized femoral section.
- Leg section servo-assisted by gas springs synchronous to the movement of the femoral section.
- Variable height via motorized columns.
- Motorized Trendelenburg and reverse Trendelenburg via rectangular-section telescopic columns.
- Synchronous backrest translation of 11 cm to limit abdominal compression.
- Cardiology position - Equipment code AC62.
- Quick release of the backrest to facilitate the CPR maneuver - Equipment code AC8L.
- Low-voltage electric motors of the anti-crushing type with spline system.
- Thermosetting epoxy powder coating.
- Equipotential node.
- Technopolymer panels - Equipment code AC65/2.
- Arrangement for pair of side rails with compass - Equipment code AC21/S.
- **Integrated side rails useful for total containment of the patient with vertical descent and lowering movement to the bed platform - Equipment code AC21/I.**
- 4 Perimeter bumpers.
- Non-marking swivel casters with 150 mm diameter.
- Pair of bilateral bag holder hooks - Equipment code AC3L.
- Centralized directional braking system. Operated by bilateral anteroposterior pedals - Equipment code AC7L2/G.
- Emergency battery - Equipment code AC17L.
- Cable reel - Equipment code AC50L.
- Push-button panel 10 keys, movements are controlled by perimeter push-button panel equipped with 3.5 m spiral cable. The hand control is easy to use as it is made with large raised pictograms and is also suitable for visually impaired patients. IP66 insulation.
- For patient safety, the hand control is equipped with a key for control inhibition - Equipment code AC34L.



# With panels AC65/3 e semi-side rails AC71



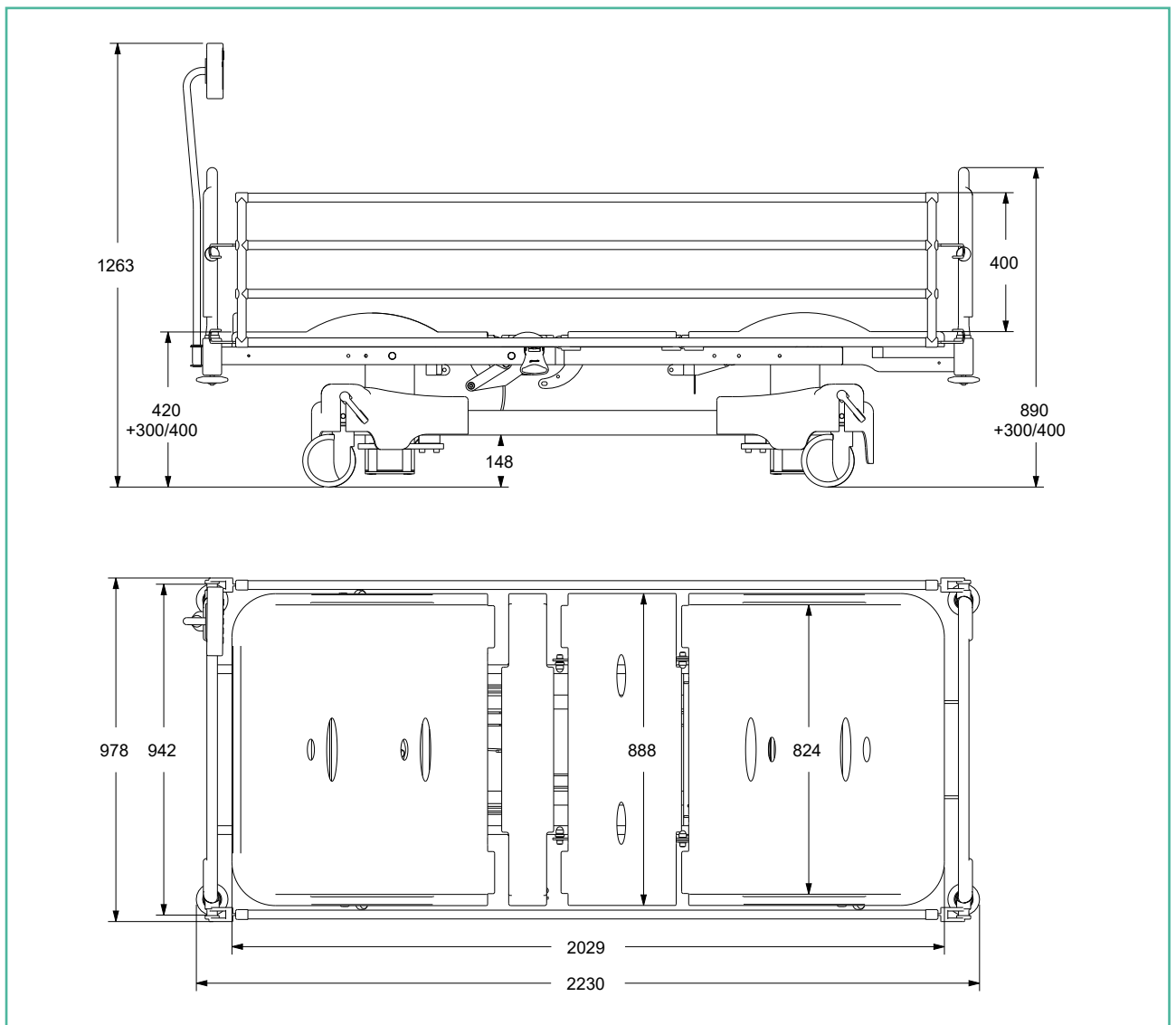


## Standard features

- Lying surface with a height of 480 mm, divided into 4 sections with triple articulation and removable and easily sanitized ABS thermoforms.
- Motorized back section.
- Motorized femoral section.
- Leg section servo-assisted by gas springs synchronous to the movement of the femoral section.
- Variable height via motorized columns.
- Motorized Trendelenburg and reverse Trendelenburg via rectangular-section telescopic columns.
- Synchronous backrest translation of 11 cm to limit abdominal compression.
- Cardiology position - Equipment code AC62.
- Quick release of the backrest to facilitate the CPR maneuver - Equipment code AC8L.
- Low-voltage electric motors of the anti-crushing type with spline system.
- Thermosetting epoxy powder coating.
- Equipotential node.
- Technopolymer panels - Equipment code AC65/2.
- Arrangement for pair of side rails with compass - Equipment code AC21/S.
- **Vertical ABS retractable side rails with two sections per side (half-sections) for total patient restraint with vertical lowering system and power-assisted lowering movement - Equipment code AC71.**
- 4 Perimeter bumpers.
- Non-marking swivel casters with 150 mm diameter.
- Pair of bilateral bag holder hooks - Equipment code AC3L.
- Centralized directional braking system. Operated by bilateral anteroposterior pedals - Equipment code AC7L2/G.
- Emergency battery - Equipment code AC17L.
- Cable reel - Equipment code AC50L.
- Push-button panel 10 keys, movements are controlled by perimeter push-button panel equipped with 3.5 m spiral cable. The hand control is easy to use as it is made with large raised pictograms and is also suitable for visually impaired patients. IP66 insulation.
- For patient safety, the hand control is equipped with a key for control inhibition - Equipment code AC34L.



## With panels AC65 and side rails AC20





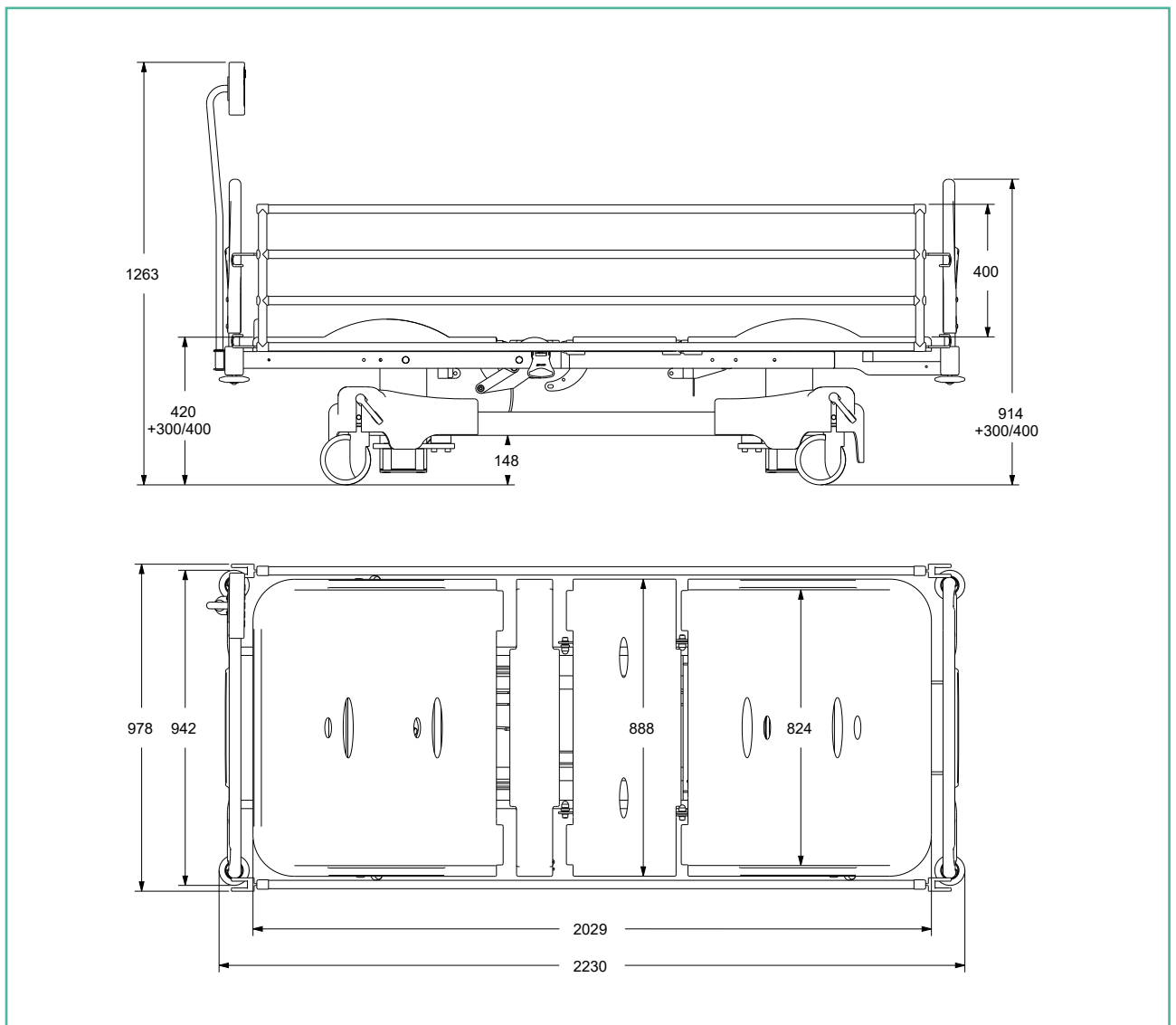


## Standard features

- Lying surface with a height of 420 mm, divided into 4 sections with triple articulation and removable and easily sanitized ABS thermoforms.
- Motorized back section.
- Motorized femoral section.
- Leg section servo-assisted by gas springs synchronous to the movement of the femoral section.
- Variable height via motorized columns.
- Motorized Trendelenburg and reverse Trendelenburg via rectangular-section telescopic columns.
- Synchronous backrest translation of 11 cm to limit abdominal compression.
- Cardiology position - Equipment code AC62.
- Quick release of the backrest to facilitate the CPR maneuver - Equipment code AC8L.
- Low-voltage electric motors of the anti-crushing type with spline system.
- Thermosetting epoxy powder coating.
- Equipotential node.
- HPL panels - Equipment code AC65.
- Arrangement for pair of side rails with compass - Equipment code AC21/S.
- **Removable side rails - Equipment code AC20.**
- 4 Perimeter bumpers.
- Non-marking swivel casters with 150 mm diameter.
- Pair of bilateral bag holder hooks - Equipment code AC3L.
- Centralized directional braking system. Operated by bilateral anteroposterior pedals - Equipment code AC7L2/G.
- Emergency battery - Equipment code AC17L.
- Cable reel - Equipment code AC50L.
- Push-button panel 10 keys, movements are controlled by perimeter push-button panel equipped with 3.5 m spiral cable. The hand control is easy to use as it is made with large raised pictograms and is also suitable for visually impaired patients. IP66 insulation.
- For patient safety, the hand control is equipped with a key for control inhibition - Equipment code AC34L.



# With panels AC65/2 and side rails AC20



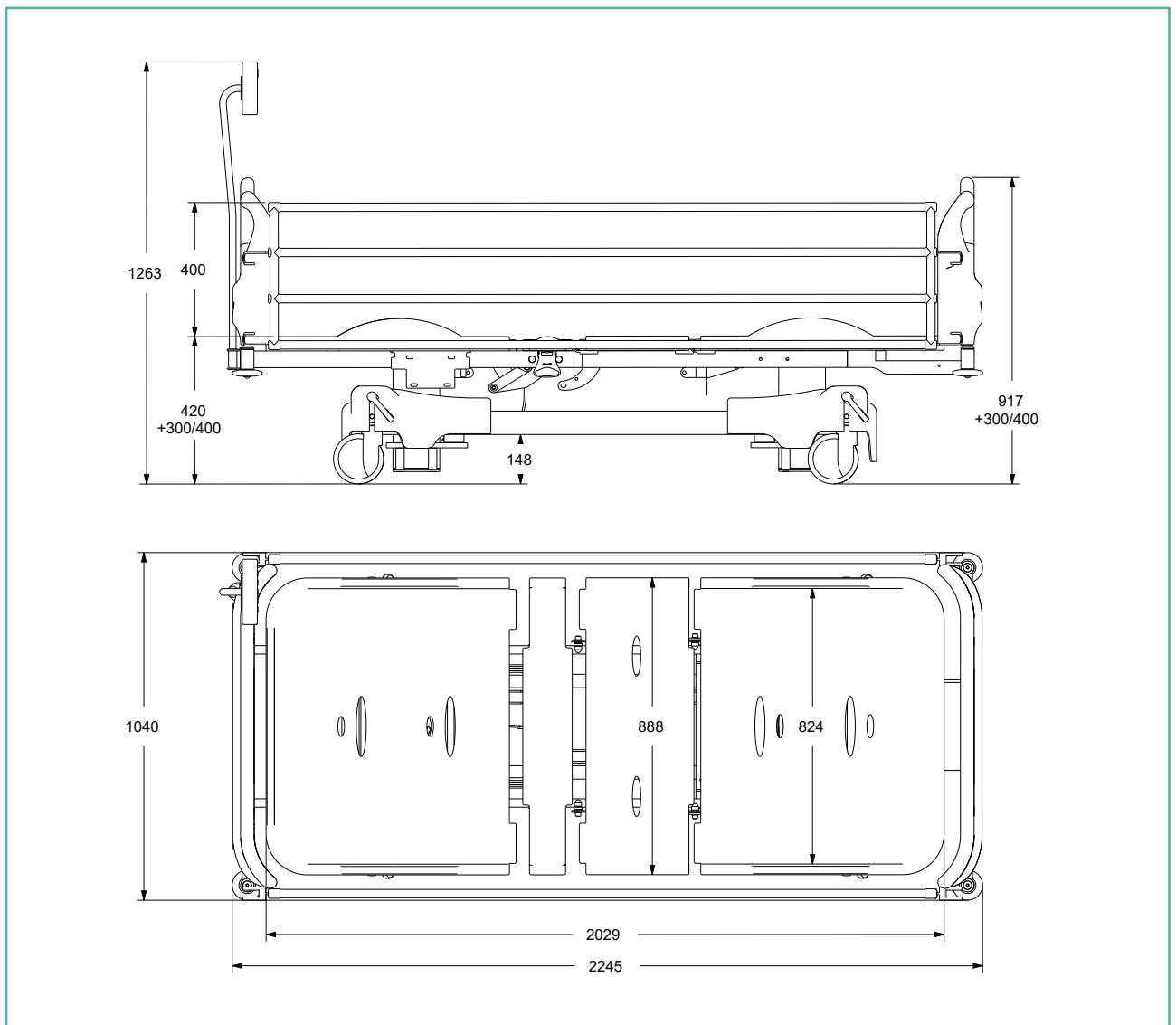


## Standard features

- Lying surface with a height of 420 mm, divided into 4 sections with triple articulation and removable and easily sanitized ABS thermoforms.
- Motorized back section.
- Motorized femoral section.
- Leg section servo-assisted by gas springs synchronous to the movement of the femoral section.
- Variable height via motorized columns.
- Motorized Trendelenburg and reverse Trendelenburg via rectangular-section telescopic columns.
- Synchronous backrest translation of 11 cm to limit abdominal compression.
- Cardiology position - Equipment code AC62.
- Quick release of the backrest to facilitate the CPR maneuver - Equipment code AC8L.
- Low-voltage electric motors of the anti-crushing type with spline system.
- Thermosetting epoxy powder coating.
- Equipotential node.
- Technopolymer panels - Equipment code AC65/2.
- Arrangement for pair of side rails with compass - Equipment code AC21/S.
- **Removable side rails - Equipment code AC20..**
- 4 Perimeter bumpers.
- Non-marking swivel casters with 150 mm diameter.
- Pair of bilateral bag holder hooks - Equipment code AC3L.
- Centralized directional braking system. Operated by bilateral anteroposterior pedals - Equipment code AC7L2/G.
- Emergency battery - Equipment code AC17L.
- Cable reel - Equipment code AC50L.
- Push-button panel 10 keys, movements are controlled by perimeter push-button panel equipped with 3.5 m spiral cable. The hand control is easy to use as it is made with large raised pictograms and is also suitable for visually impaired patients. IP66 insulation.
- For patient safety, the hand control is equipped with a key for control inhibition - Equipment code AC34L.



# With panels AC65/3 and side rails AC20





## Standard features

- Lying surface with a height of 420 mm, divided into 4 sections with triple articulation and removable and easily sanitized ABS thermoforms.
- Motorized back section.
- Motorized femoral section.
- Leg section servo-assisted by gas springs synchronous to the movement of the femoral section.
- Variable height via motorized columns.
- Motorized Trendelenburg and reverse Trendelenburg via rectangular-section telescopic columns.
- Synchronous backrest translation of 11 cm to limit abdominal compression.
- Cardiology position - Equipment code AC62.
- Quick release of the backrest to facilitate the CPR maneuver - Equipment code AC8L.
- Low-voltage electric motors of the anti-crushing type with spline system.
- Thermosetting epoxy powder coating.
- Equipotential node.
- Technopolymer panels - Equipment code AC65/3.
- Arrangement for pair of side rails with compass - Equipment code AC21/S.
- **Removable side rails - Equipment code AC20.**
- 4 Perimeter bumpers.
- Non-marking swivel casters with 150 mm diameter.
- Pair of bilateral bag holder hooks - Equipment code AC3L.
- Centralized directional braking system. Operated by bilateral anteroposterior pedals - Equipment code AC7L2/G.
- Emergency battery - Equipment code AC17L.
- Cable reel - Equipment code AC50L.
- Push-button panel 10 keys, movements are controlled by perimeter push-button panel equipped with 3.5 m spiral cable. The hand control is easy to use as it is made with large raised pictograms and is also suitable for visually impaired patients. IP66 insulation.
- For patient safety, the hand control is equipped with a key for control inhibition - Equipment code AC34L.



## Supervisor Panel

The medical device, upon request, can be equipped with an operator panel, normally attached to the foot of the bed, for the management of movements and stored positions. Finally, the operator panel has the possibility, if necessary, to inhibit can partially or totally inhibit the patient hand control in order to prevent risks/hazards to the patient himself. Simply turn the appropriate control to activate/deactivate function.



### MOVEMENTS AND FUNCTIONS

#### Section movements:

- Drive movements: backrest, femoral, autoconture, variable height, trendelenburg and reverse trendelenburg

#### Memory functions:

- Automatic positioning in optimal condition to perform CPR maneuver
- Automatic positioning in trendelenburg condition
- Automatic positioning in auto-conture condition (chair position)

#### Safety functions:

- Partial and/or total enabling and disabling of the patient-reserved hand control



#### Do you want to improve the device?

Scan the QR Code to find out all the available accessories listed on our catalogue.



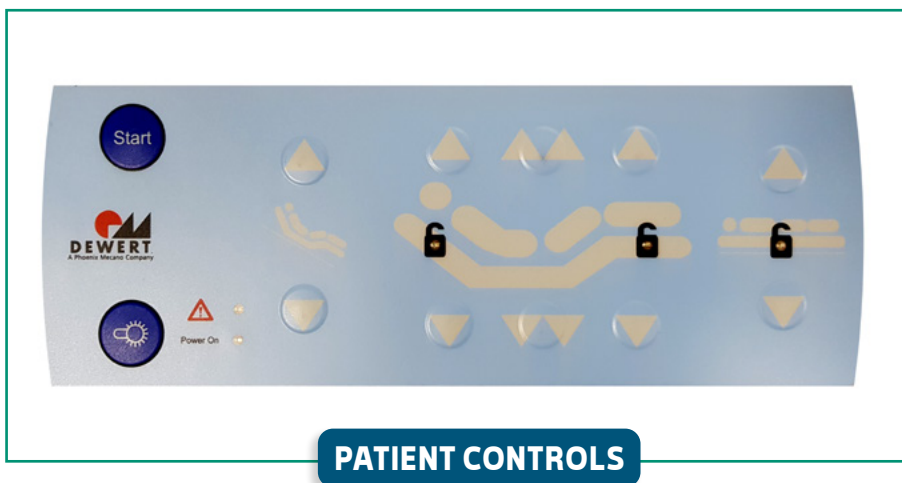


## Controls integrated in the semi-side rails

The medical device, upon request, can be equipped with patient and operator controls **integrated into the AC71 semi-side rails**, which allow for the management of stored movements and positions. Finally, the controls integrated into the half-pads for operator use have the option of partially or totally inhibiting patient controls in order to prevent risks/hazards to the patient.



**OPERATOR CONTROLS**



**PATIENT CONTROLS**

## MOVEMENTS AND FUNCTIONS

### Operator controls:

- Seating position/cardiology chair
- Back section
- Simultaneous back/femoral sections
- Femoral section
- Variable height
- Trendelenburg and reverse Trendelenburg
- CPR position
- Trendelenburg position

### Patient controls:

- Seating position/cardiology chair
- Back section
- Simultaneous back/femoral sections
- Femoral section
- Variable height



## Other features of the medical device

- Frame made of extremely durable steel painted with thermosetting epoxy powders, enriched with antibacterial and antimicrobial.
- Ergonomic mesh top divided into sections, which are protected by thermoformed technopolymer cover easily removable when needed.
- Height of the network top functional to facilitate patient access. In addition, the presence of motorized columns guarantees unparalleled stability conditions.
- Bed structure without accumulation points for immediate and effective sanitization of the device with all commonly used detergents.
- Immediately removable headboard and footboard shoulders by means of special mechanism, light and sturdy at the same time.
- Provision for side protection systems (see standard equipment).
- Low-voltage electric motors of the anti-crushing and anti-shearing type that ensure precision and fluidity of movement.
- Quick release of the backrest by means of special bilateral release lever, useful for performing CPR emergency maneuvers.
- Absence of under-network mechanisms and linkages to carry out complete and effective sanitization.
- Emergency power supply by rechargeable battery of high autonomy that ensures continuity of electrical functions in case of power failure from the mains.
- Useful floor clearance for entry of lifters.
- Easy access for sanitizing the floor below.
- Swivel, non-marking and antistatic wheels made of washable and sanitizable material.
- The high capacity of the wheels facilitates moving the bed from place to place even with a patient on board and under all operating conditions. The low friction of the wheels makes it possible to optimize the pushing force applied by the operator, so as to facilitate sliding on all types of floors and facilitate maneuverability in tight spaces.
- Bed free of parts and components prone to wear and seizure.
- Absence of elements to be lubricated.
- Absence of latex and phthalates.

## Main cord



**Type F  
Schuko**



**Type L  
16A**



**Type I  
Australia**



**Type B  
Canada and USA**



**Type G  
UK plug**





## Technical sheet

CND / EMDN code	<b>V08060101</b>
GMDN code	<b>34870</b>
Progressive/R	<b>2233718/R</b>
UDI-DI di base	<b>805771740LETNC</b>
ID Product	<b>GB0018.SP</b> Painted steel <b>GB0018.SS</b> Stainless steel <b>GB0018.BP</b> Painted steel <b>GB0018.BS</b> Stainless steel
Inteded use	Hospital Bed
Manufacturer	GARDHEN BILANCE SRL
Spare parts availability	10 years
Overall weight	135 kg
Controls	Display touch screen + handset
Battery	10 cycles of autonomy
Battery weighing system	24 V self rechargeable (autonomy approx. 24 hours)
Power	Multivoltage 100-240 Vac 50/60 Hz
Main cable	Schuko or other upon request
Wheels	Nr. 4 swiveling and stainless 150 mm with braking system
Electric motors	Low voltage (24 V)
Max electrical input Max	460 VA
Insulation	IP44
Max load	Standard 200 kg / Bariatric 300 kg
Safety working load	Standard 235 kg / Bariatric 335 kg

# Alex Hospital

Hospital Bed

[www.gardhenbalance.it](http://www.gardhenbalance.it)



## **Gardhen Balance S.r.l.**

Via G. Luraghi c/o Consorzio Il Sole - lotto S  
80038 Pomigliano d'Arco (NA) - Italy  
Tel. +39.081.8692160 pbx - Fax +39.081.8692460  
E-mail: [info@gardhenbalance.it](mailto:info@gardhenbalance.it)  
PEC: [gardhenbalance@pec.it](mailto:gardhenbalance@pec.it)

Pictures contained in this brochure is for illustrative purpose only. The manufacturer reserves the right to modify the projects without notice. For accessories identification please refer to the accessory catalogue or commercial offer. When data are different please refer to commercial offer.

Dep. EN\_96 rev. 29/04/2024